

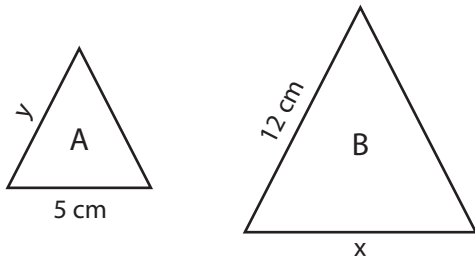
Name : _____

Scale Factor - Finding Sides

L1S1

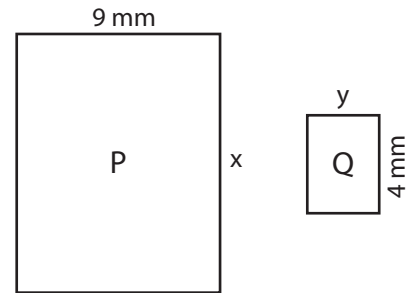
Find x and y.

- 1) Scale factor of A to B is 1 : 2



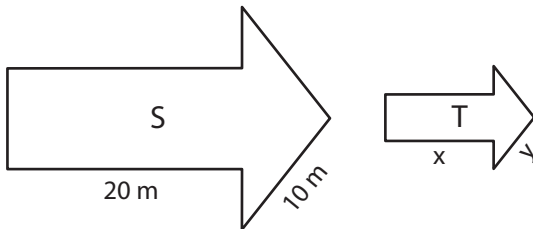
x = _____ ; y = _____

- 2) Scale factor of Q to P is 1 : 3



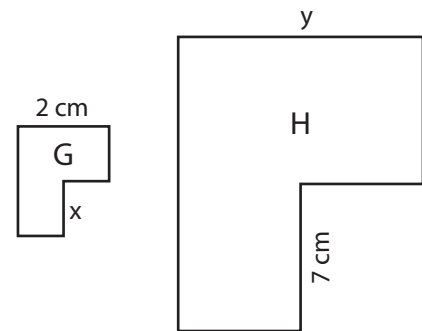
x = _____ ; y = _____

- 3) Scale factor of S to T is 4 : 1



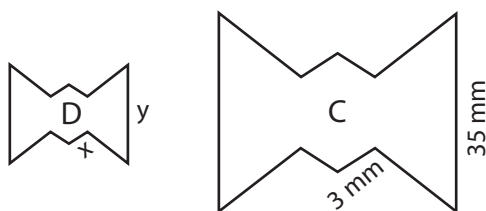
x = _____ ; y = _____

- 4) Scale factor of G to H is 1 : 7



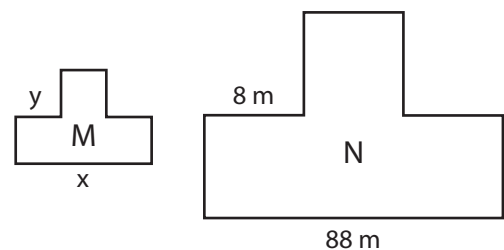
x = _____ ; y = _____

- 5) Scale factor of C to D is 5 : 1



x = _____ ; y = _____

- 6) Scale factor of N to M is 8 : 1



x = _____ ; y = _____

Name : _____

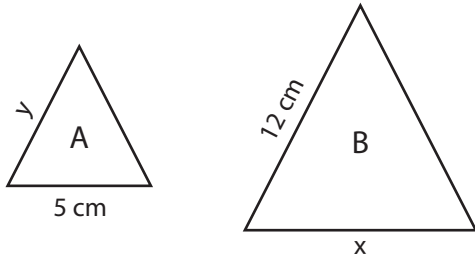
Answer key

Scale Factor - Finding Sides

L1S1

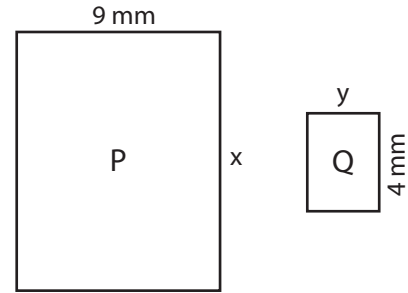
Find x and y.

- 1) Scale factor of A to B is 1 : 2



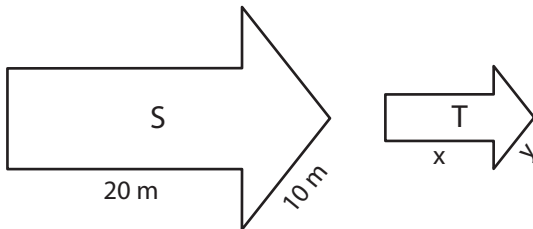
x = 10 cm ; y = 6 cm

- 2) Scale factor of Q to P is 1 : 3



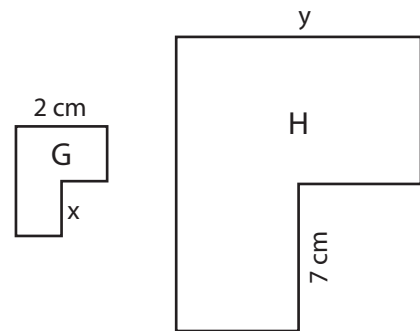
x = 12 mm ; y = 3 mm

- 3) Scale factor of S to T is 4 : 1



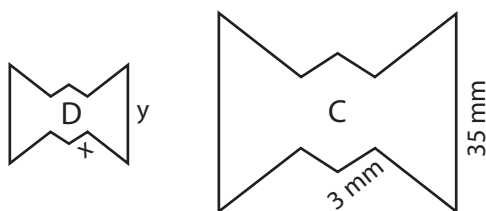
x = 5 m ; y = 2.5 m

- 4) Scale factor of G to H is 1 : 7



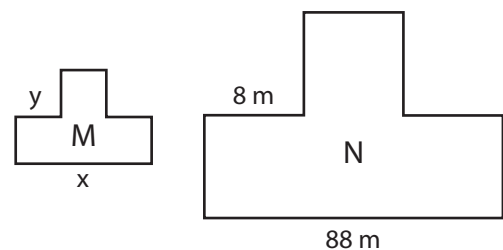
x = 1 cm ; y = 14 cm

- 5) Scale factor of C to D is 5 : 1



x = 0.6 mm ; y = 7 mm

- 6) Scale factor of N to M is 8 : 1



x = 11 m ; y = 1 m