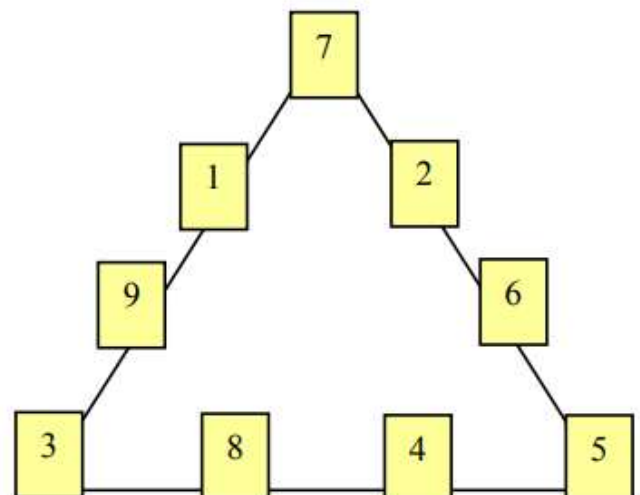
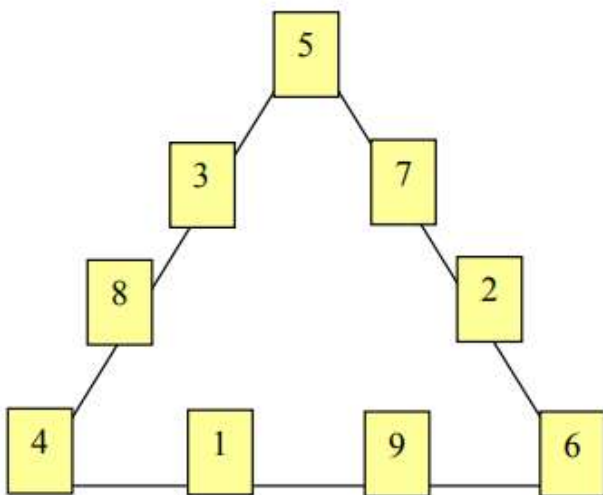




Puzzle time

Tricky twenty triangle - answer

There were several different answers to this. Only two are included here.



Well done, if you managed this. There are many answers - the key was to make sure that the three corners added up to 15.



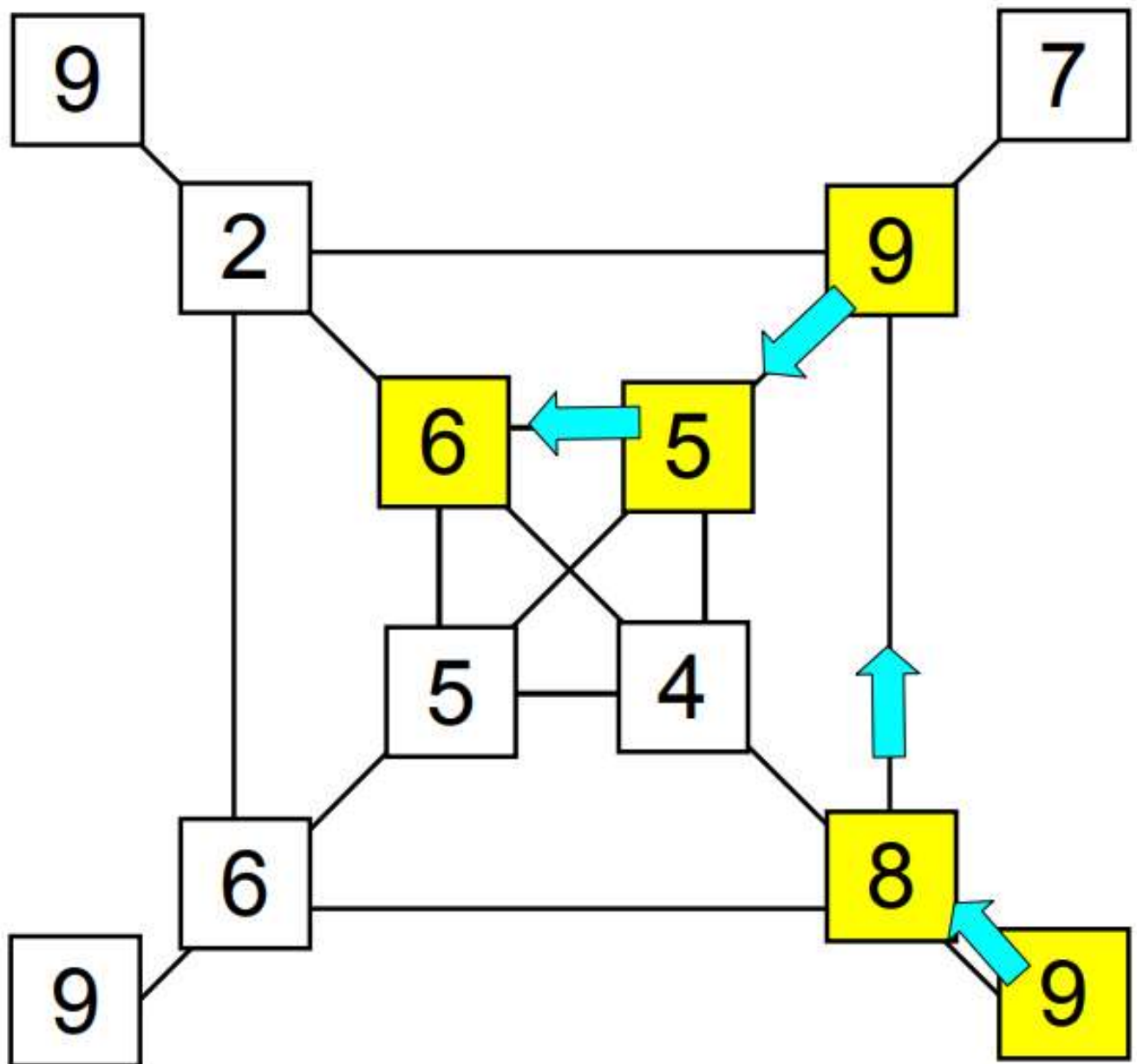


Puzzle time

Highest total! - answer

The route shown gives a total of 37.

Can you find an even bigger total? There is at least one way to get 39!





Puzzle time

Dress 'Addy' - the answer

The answer was 27 - and if you don't believe us, here is Addy all dressed up in his red, blue and yellow.



a)

8	1	9
7	6	5
3	11	4

b)

13	9	8
5	10	15
12	11	7

c)

3	4	8
10	5	0
2	6	7

Nick Name Challenge

Jack - Ducky

Billie - Cheeky

Francis - Giggles

Abbie - Bambi

Pirate Island Challenge

This problem requires the women to make multiple trips to the island, for example:

Women A and Woman B sail to the island.

Woman B stays there.

Woman A sails back.

Man A sails to the island and stays there.

Woman B sails back.

Woman A and Woman B sail to the island.

Woman B stays there.

Woman A sails back.

Man A sails to the island.

Woman B sails back.

Woman A and Woman B both sail to the island.

Woman B sails back.

Woman A and Woman B both sail to the island.

Treasure Challenge

Jane	DE	D	R	RE	RD	E	DER	
Simon	R	RE	ED	D	E	DR		DER

Stamp Collection Challenge

8 stamps per sheet